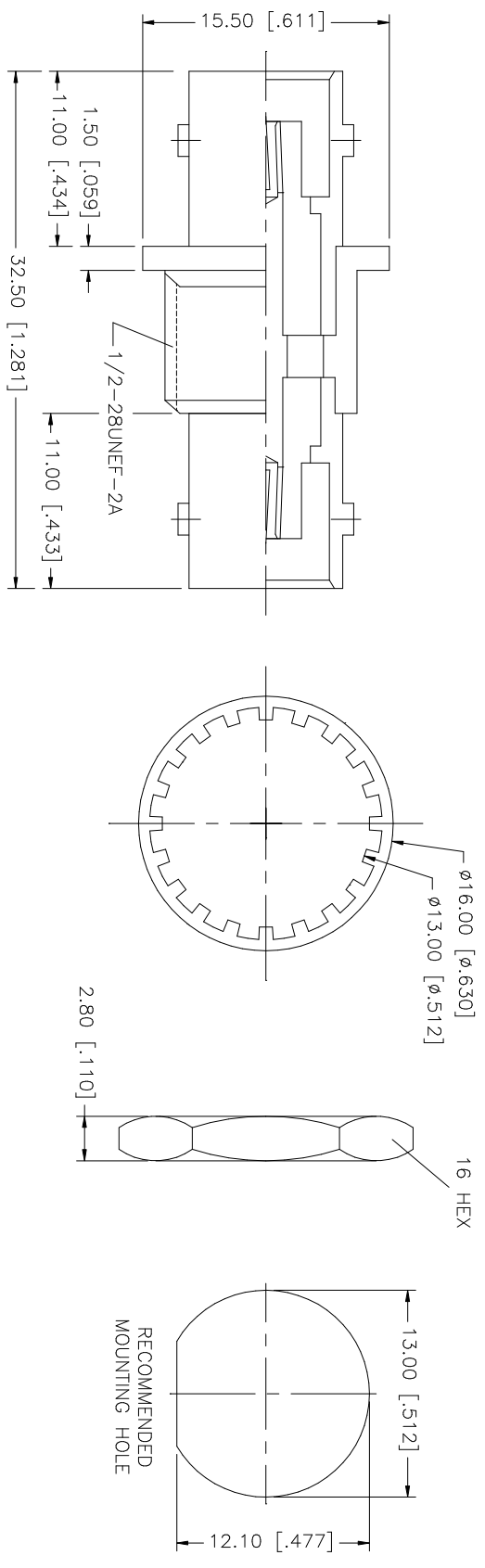


REV.	DATE	DESCRIPTION
NC	01/22/04	INITIAL RELEASE



NO.	DESCRIPTION	MATERIAL	FINISH	QTY	UNLESS OTHERWISE SPECIFIED DIMENSIONS ARE IN INCHES AND FOR CUSTOMER REFERENCE ONLY. TOLERANCES FOR MILLING ARE: UNLESS OTHERWISE SPECIFIED 0.5 - 8mm ± 0.20mm 8 - 30mm ± 0.40mm 30 - 120mm ± 0.50mm UNLESS OTHERWISE SPECIFIED DIMENSIONS FOR INCHES ARE: UNLESS OTHERWISE SPECIFIED .020 - .315 = ± 0.007" .315 - 1.180 = ± 0.015" 1.180 - 4.724 = ± 0.020"	DO NOT SCALE DRAWING	CAD FILE	APPROVALS	DATE	PART DESCRIPTION
8										<p style="text-align: center;"><b>Amphenol Connex</b></p> <p style="text-align: center;">BNC FEMALE TO FEMALE BULKHEAD ADAPTER (75ohm)</p> <p style="text-align: center;">PART NO. 112438</p>
7										
6	HEX NUT	BRASS	NICKEL	1						
5	LOCK WASHER	BRASS	NICKEL	1						
4	CONTACT PIN	PHOS. BRONZE	GOLD	1						
3	INSULATOR	DELRIN	NATURAL	1						
2	BODY	BRASS	NICKEL	1						
1	DESCRIPTION	MATERIAL	FINISH	QTY						

DRAWN	G.R.S.	01/22/04
CHECKED		
ISSUED		
SHEET	1 OF 1	
DWG. NO.	112438.DWG	
REV.	NC	
SIZE	A	
SCALE	NA	